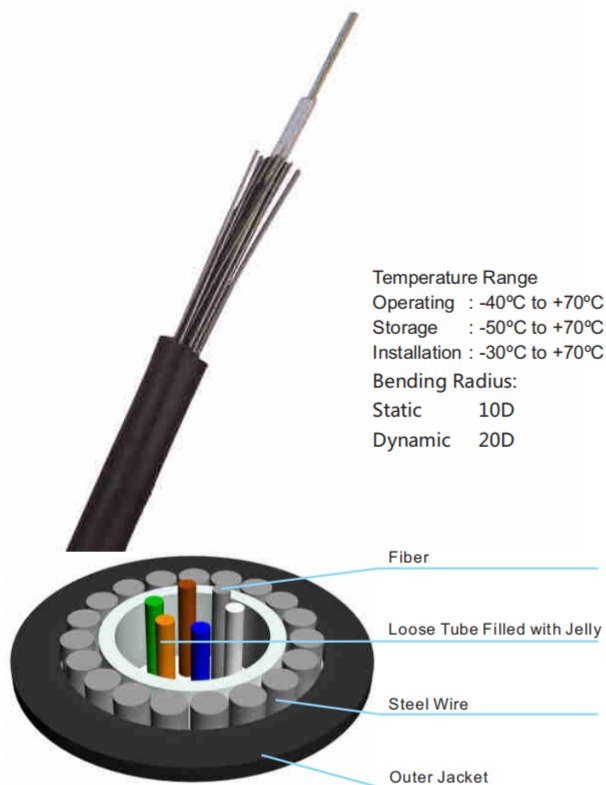


Steel Wire Armored Uni-Tube Single Jacket Cable



Cable Structure

Temperature Range
 Operating : -40°C to +70°C
 Storage : -50°C to +70°C
 Installation : -30°C to +70°C
 Bending Radius:
 Static 10D
 Dynamic 20D

Description

Steel Wire Armored Uni-Tube optical cable with fibers placed in loose buffer tube. The cable core is protected with jelly to prevent water intrusion and migration, protected with steel wire armor. The whole set cover with a black polyethylene outer jacket.

Product Construction

Fiber:
 2-24 fibers
 Uni-loose tube gel-filled
Aarmor:
 Steel wire
Outer Jacket:
 Black UV and moisture-resistant polyethylene (PE).

Features

Uni-tube gel-filled construction for superior fiber protection.
 Compact, easy to install.
 UV and moisture-resistant design.

Applications

Interbuilding voice or data communication.
 Installed in duct, underground conduit.
 FTTx.

Optical Characteristics

| Fiber Type | | G.652 | G.655 | 50/125μm | 62.5/125μm |
|--|---------|-------------|-------------|----------------|----------------|
| Attenuation (+20°C) | 850 nm | | | ≤3.0 dB/km | ≤3.3 dB/km |
| | 1300 nm | | | ≤1.0 dB/km | ≤1.0 dB/km |
| | 1310 nm | ≤0.36 dB/km | ≤0.40 dB/km | | |
| | 1550 nm | ≤0.22 dB/km | ≤0.23 dB/km | | |
| Bandwidth | 850 nm | | | ≥500 MHz·km | ≥200 Mhz·km |
| | 1300 nm | | | ≥500 MHz·km | ≥500 Mhz·km |
| Numerical Aperture | | | | 0.200±0.015 NA | 0.275±0.015 NA |
| Cable Cut-off Wavelength λ _{cc} | | ≤1260 nm | ≤1450 nm | | |

Structure and Technical Specifications

| Fiber Count | Nominal Diameter (mm) | Nominal Weight (kg/km) | Allowable Tensile Load (N) | | Allowable Crush Resistance (N/100mm) | |
|-------------|-----------------------|------------------------|----------------------------|-----------|--------------------------------------|-----------|
| | | | Short Term | Long Term | Short Term | Long Term |
| 2~12 | 7.5 | 74 | 2000 | 1000 | 1500 | 600 |
| 14~24 | 8.0 | 80 | 2000 | 1000 | 1500 | 600 |

Note : This datasheet can only be a reference, but not a supplement to the contract. Please contact our sales people for more detailed information.