

FTTX In-Line Optic Splice Closure

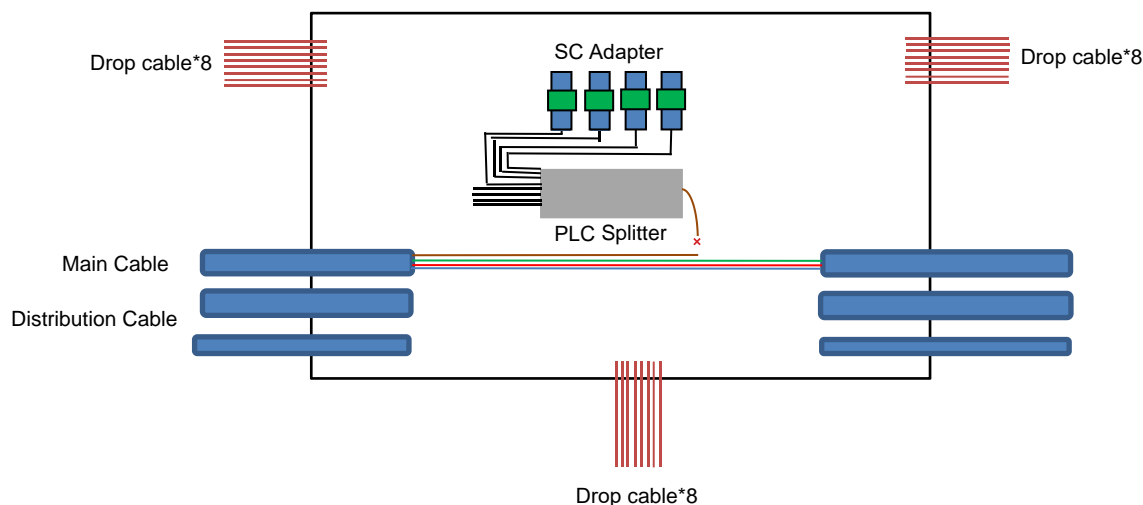


Overview

EFON FTTH-S002 Splice Closures are designed for aerial and wall mount installation, especially for distribution point. Combination with 1*8, 1*16 PLC splitter and fiber cable realize simple FTTx network construction.

Features

- It can be installed one 1:8 PLC splitter.(FTTH-S002-08), or installed one 1:16 PLC splitter. (FTTH-S002-16)
- Small size and light weight.
- Suitable for drop cable and indoor cable distribution.
- Cable ports: 4* $\phi 8\sim\phi 16$ mm, 2* $\phi 8\sim\phi 13$ mm main cable and 16 pcs drop cable($\phi 2\sim 3$ mm, 3.0mm, 3.6mm).
- 24 Cores fusing splice, max 48 Cores.
- Can accommodate up to 16 drop cables in three direction.
- Aerial, wall-mounting



Dimensions and Capability			
Dimensions (L*W*H)		310mm*97mm*207mm	
Material		Molded plastic	
Cable Diameter	Main cable		3 PC
	Drop cable		Up to16 PCS($\phi 2\sim 3$ mm, 3.0mm, 3.6mm)
Cable Ports		Cable ports: 4* $\phi 8\sim\phi 16$ mm, 2* $\phi 8\sim\phi 13$ mm main cable and 16 pcs flat drop cable	
Maximum Fiber Storage Capacity		Single-fiber	24/48 splices points
No. of Optical Adapter	FTTH-S002-08	Max. 9*SC adapter	with 1*1:8 splitter module
	FTTH-S002-16	Max. 17*SC adapter	with 1*1:16 Micro Tube PLC splitter