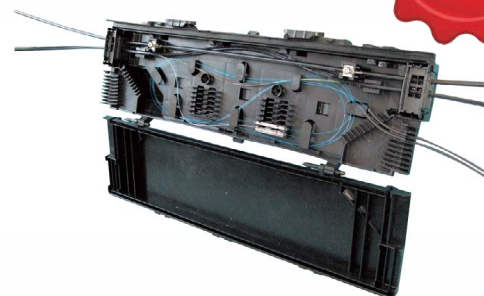


Aerial Installation FTTH Optic Splice Closure

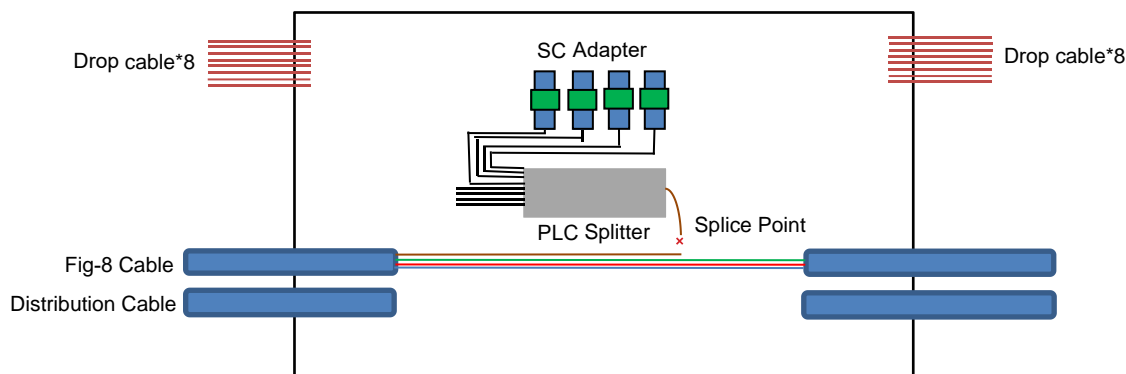


Overview

EFON FTTH-S001 Aerial Weather tight Splice Closures are designed for aerial strand-mount FTTH drop locations where drop cables are spliced to distribution cables. These free breathing closures combine grommet cable sealing technology and splice tray, the splitter module is also available. Aerial Weather tight Splice Closures are suitable for special feature with Aerial Self-Supported cable. These durable, easy to install closures will increase productivity, reduce labor expenses and last through the life time of your network.

Features

- The closure casing is made of quality engineering plastics, and of good performance of anti-erosion against acid and alkaline salt, anti-aging, as well as pleasing appearance.
- The mechanical structure is reliable and has the performance of resisting wild environment.
- Chemical and mechanical resistance for all the aerial application areas in the fiber networks.
- Cover most of the applications in the premise wiring networks like Fiber To The Home (FTTH)
- Closure adopts hinge/buckle mechanism which makes dismantling/assembling easy
- Cable entry section can accommodate 1 pc Fig .8 main cable and 1pc distribution cable. Output 16pcs drop cable (8 pcs each side).
- 24 Cores fusing splice, max 48 Cores.
- Convenient attachable splitter module with 1:8 splitter module & 1:16 splitter module for drop cable installation.
- Re-useable grommet sealing open and close easily for adding or removing drop cables providing efficient cable installation with no mess



Dimensions and Capability		
Dimensions (L*W*H)	600mm*83mm*150mm	
Material	Molded plastic	
Cable Diameter	Main cable	Fig.8 aerial optical cable: Max 2 PC
	Distribution cable	1 PCS
	Drop cable	2*3 mm: up to 16 PCS
Cable Ports	4*φ8-φ16mm, and 16 pcs 2*3mm flat drop cable	
Maximum Fiber Storage Capacity	Single-fiber	24/48 splices points
No. of Optical Adapter	Max. 16*SC adapter	with 2*1:8 splitter module