

Horizontal Fiber Optic Splice Closure(FOSC)



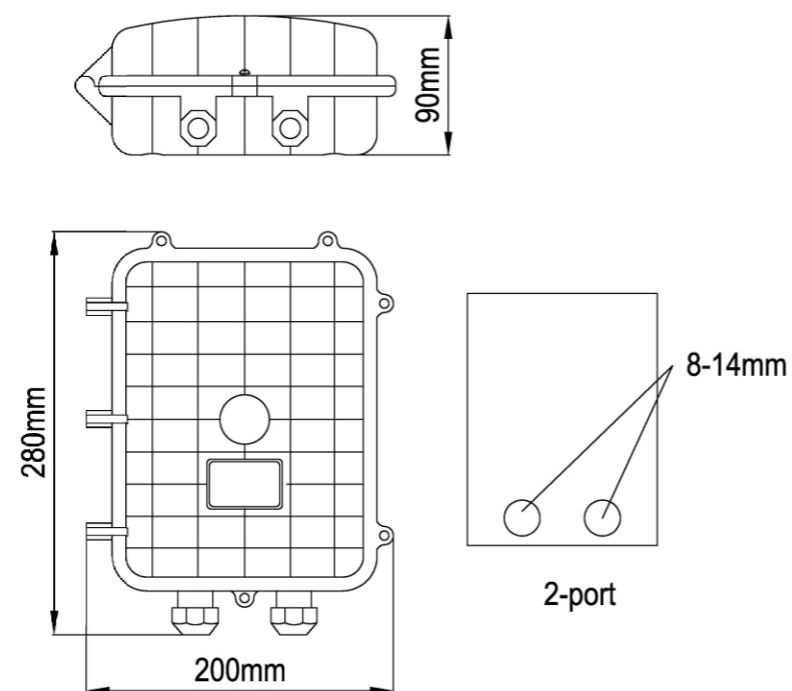
Features

- The closure adopts horizontal mechanical sealing and advanced internal structure design.
- To adopt engineering PC plastic with high-strength to make the closure has longer life time and excellent sealing performance.
- The closure is spacious enough for winding and storing fibers.
- The patented sealing structure keep good sealing performance after re-entry and re-using.
- It works for mid--span and branching.
- It could save the installation time and improve work efficiently.

Applications

- ◆ Suitable for bunchy fibers
- ◆ Aerial, underground, wall-mounting, hand hole-mounting pole-mounting and duct-mounting

Structural Drawing



GJS-H003

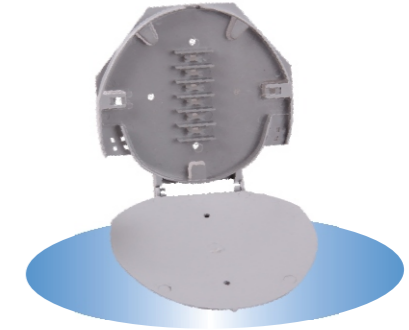
Horizontal Fiber Optic Splice Closure(FOSC)

Ordering Information

Optical Splice Trays



#022
144X133X9mm



#023
132X133X10.5mm

Type	Fibers/Tray	Max. Capacity	Tray#	Suitable Cable Dia. allowed(mm)
GJS-H003 I(Bunchy)	6-12F	48F	022	2 round ports:14mm
GJS-H003 II(Bunchy)	12-24F	96F	023	

Accessories

Standard Accessories:

No.	Name	Quantity	
1	Seal tape	1 roll	
2	Insulation tape	1 roll	
3	Abrasive cloth	1 pc	
4	Earthing wire	1 pc	
5	Nylon tie	1 set	

No.	Name	Quantity	
6	Labeling paper	1 pc	
7	Heat shrinkable protective sleeve	1 bag	
8	Desiccant	1 bag	
9	Special wrench	1 pc	
10	Hanging hook	1 set	

Optional Accessories:

No.	Name	Quantity	
1	Earthing deriving device	1 pc	
2	Wall mounting bracket	1 set	

No.	Name	Quantity	
3	Buffer tube for bunchy fiber	1 roll	