

# Dome Mechanical Seal Fiber Optic Splice Closure(FOSC)

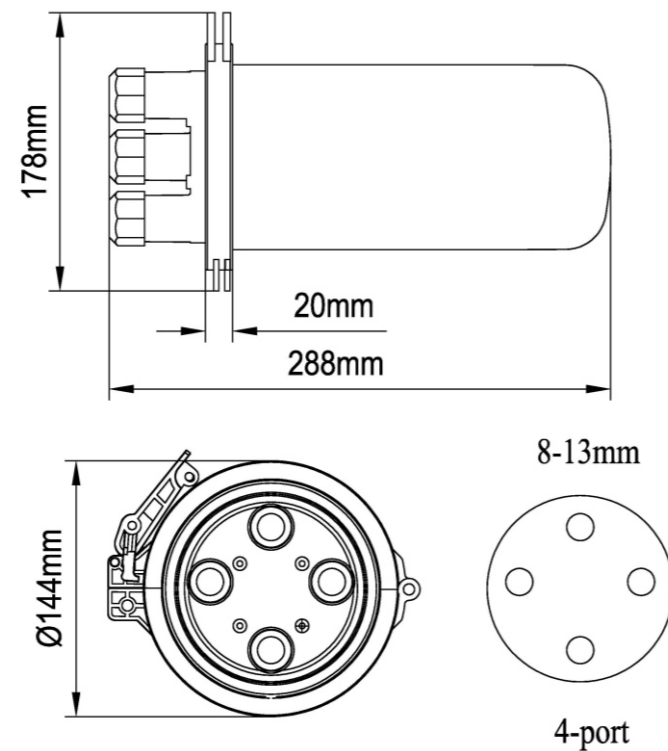
## Features

- The closure adopts mechanical sealing structure.
- The small ports are used for branch fiber cable and drop cable.
- It adopts engineering PC plastic with high-strength to make the closure has longer life time and excellent sealing performance.
- The patented sealing structure keep good sealing performance after re-entry and re-using.
- The bending radius of FOSTs meet the international standard.
- The closure can be opened and closed without using tools, better than heat shrinkable sealing structure.
- Much more easily and convenient for construction .

## Applications

- ◆ Suitable for bunchy fibers
- ◆ Underground, wall-mounting, hand hole-mounting pole-mounting and duct-mounting

## Structural Drawing

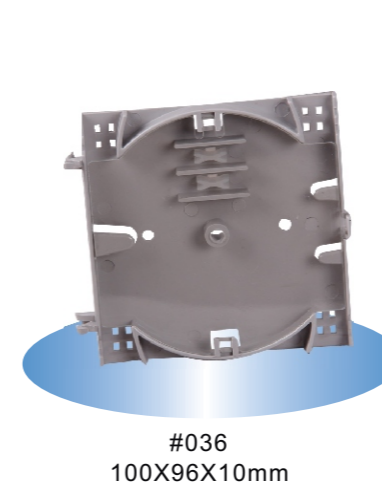


GJS-D013

# Dome Mechanical Seal Fiber Optic Splice Closure(FOSC)

## Ordering Information

### Optical Splice Trays



Type	Fibers/Tray	Max. Capacity	Tray#	Suitable Cable Dia. allowed(mm)
GJS-D013 I(Bunchy)	4-8F	24F	036	4 round ports:13mm
GJS-D013 II(Bunchy)	6-12F	48F	037	

## Accessories

### Standard Accessories:

No.	Name	Quantity	
1	Heat shrinkable protective sleeve	1 bag	
2	Nylon tie	1 set	
3	Earthing wire	1 pc	
4	Insulation tape	1 roll	

No.	Name	Quantity	
5	Special wrench	2 pcs	
6	Desiccant	1 bag	
7	Labeling paper	1 pc	
8	Abrasive cloth	1 pc	

### Optional Accessories:

No.	Name	Quantity	
1	Pressure testing valve	1 pc	
2	Earthing deriving device	1 pc	
3	Buffer tube for bunchy fiber	1 roll	

No.	Name	Quantity	
4	Wall mounting bracket	1 set	
5	Metal hoop	1 set	